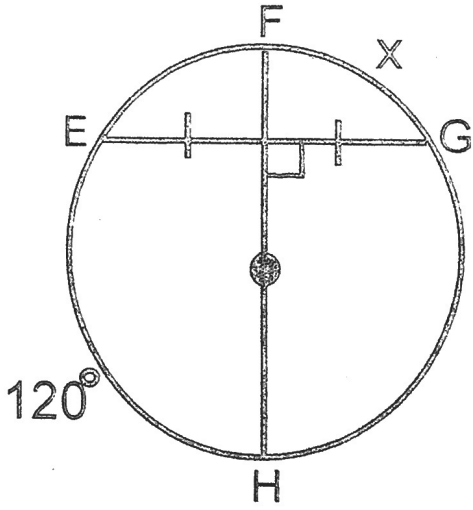
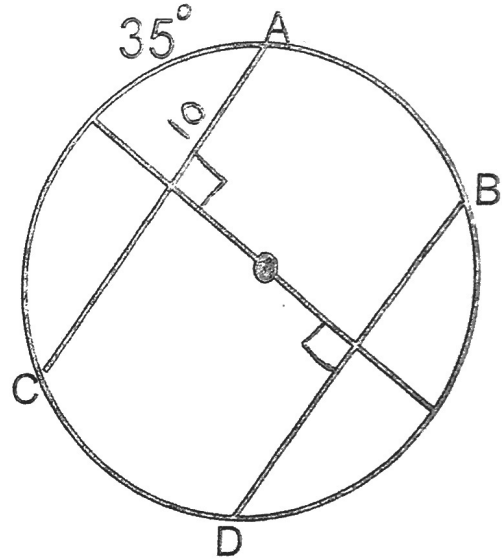


CHORD THEOREMS PRACTICE

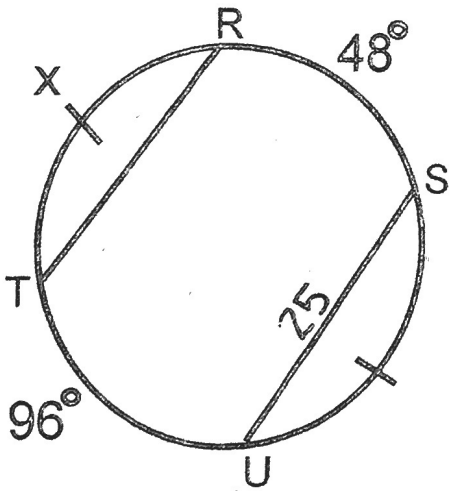
1. $x = \underline{\hspace{2cm}}$ $\widehat{FH} = \underline{\hspace{2cm}}$



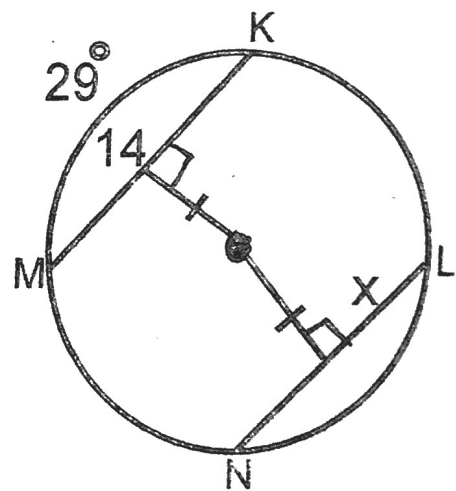
2. $\widehat{BD} = \underline{\hspace{2cm}}$ $\overline{AC} = \underline{\hspace{2cm}}$



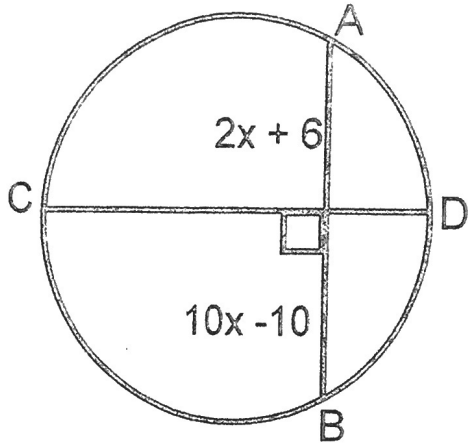
3. $x = \underline{\hspace{2cm}}$ $\overline{RT} = \underline{\hspace{2cm}}$



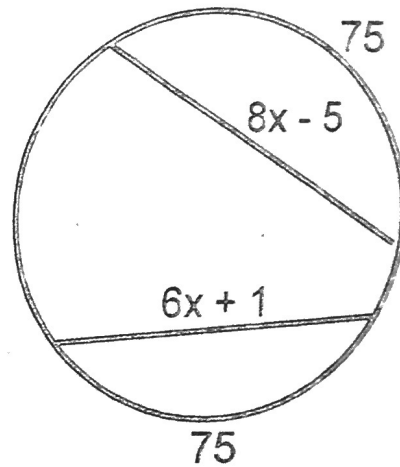
4. $x = \underline{\hspace{2cm}}$ $\widehat{KM} = \underline{\hspace{2cm}}$



5. $x = \underline{\hspace{2cm}}$ $\overline{AB} = \underline{\hspace{2cm}}$

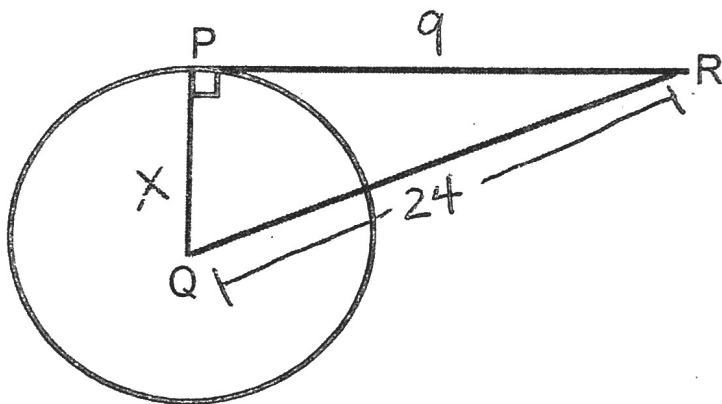


6. $x = \underline{\hspace{2cm}}$

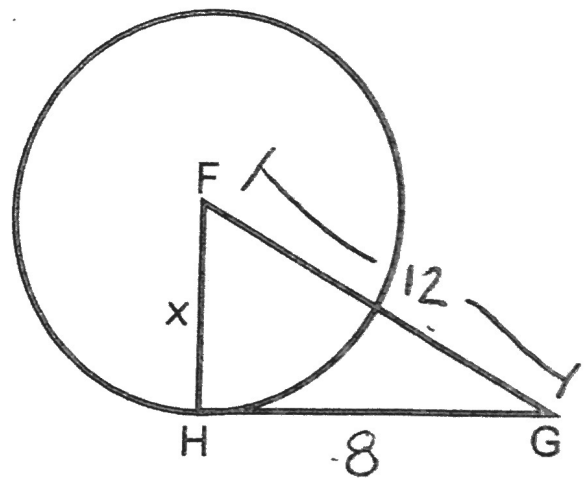


TANGENT THEOREMS

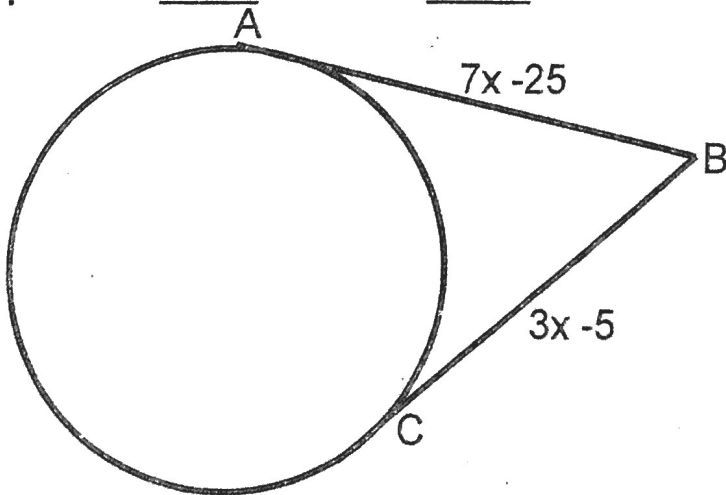
7. $x = \underline{\hspace{2cm}}$



8. $x = \underline{\hspace{2cm}}$



9. $x = \underline{\hspace{2cm}}$ $\overline{AB} = \underline{\hspace{2cm}}$



10. $\overline{AC} = \underline{\hspace{2cm}}$

